

TECHNICAL DATA

**TYPE**

**VENGO** LED is the reflector that achieves the most advanced result in industrial, sporting and large area lighting. Human centric Lighting (Lighting applications that focus on human wellbeing) Aesthetically pleasing and energy-saving light that lasts in time.

**CHARACTERISTICS**

Chip: Lumileds 2835 70Ra  
 Nomial efficacy: 160 lm/W  
 Lifetime L90B10:>50,000 hours  
 Luminous flux tolerance <+/-3%  
 Values may be subject to change du LED binning.  
 High efficiency Ra>70 LED

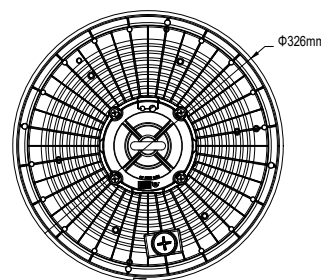
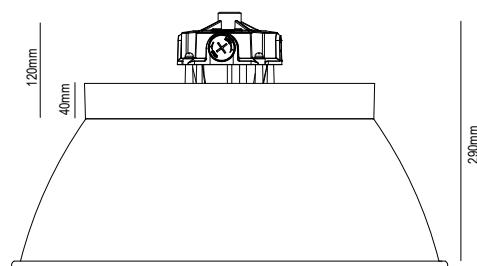
**MATERIAL**

Die-cast aluminium, Transparent 4mm  
 tempred-Glass  
 Aluminum frame  
 Steel Galvanized and painted bracket.



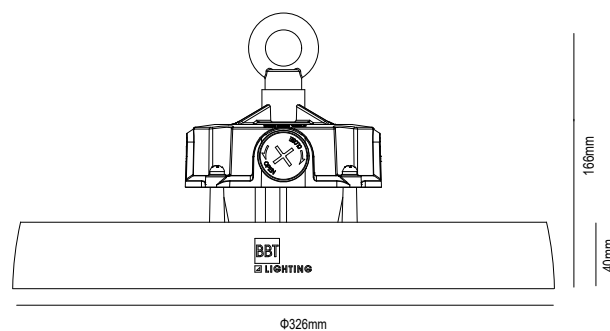
PRO	CRI ≥ 70	
IP65		90°
100-277V 50/60Hz		50000h

DIMENSION DRAW



<b>Model:</b>	Vengo
<b>Format:</b>	Round
<b>Beam angle:</b>	Selectable: 60°/90°/110°
<b>Beam Angle with reflector:</b>	90°
<b>Location:</b>	Interior/Exterior
<b>Wattage:</b>	3POWER: 150W - 200W - 240W
<b>Materials:</b>	ALUMINUM
<b>Led Color:</b>	3CCT: 3000K - 4000K - 5000K
<b>Product Dimension:</b>	∅326*40*166mm
<b>IP Code:</b>	65
<b>Fixation:</b>	Surface
<b>CRI :</b>	70
<b>Lumen Output:</b>	24000LM - 32000LM - 38400LM
<b>Frequency:</b>	50/60 Hz
<b>Net Weight:</b>	2.2kgs

**INDOOR / OUTDOOR**



Aluminum Reflector

**INDOOR / OUTDOOR**